



MarsEVOL



COMPACT DIMMING CONTROLLER

▶ For Grow Lights

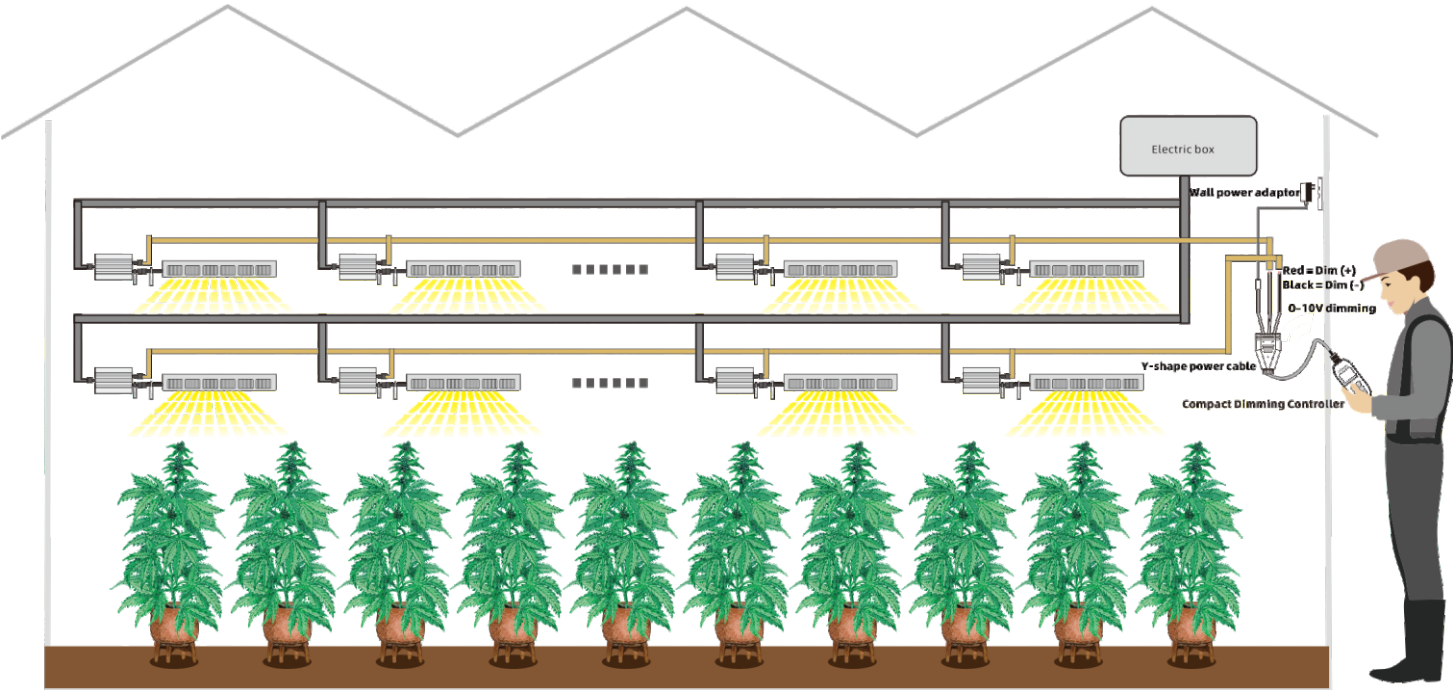
Product Features:

- Two-channel control, max 25 lights each channel
 - Two Photoperiod can be set under Automatic Mode
 - Freely set lights on/off in 1-15min to imitate natural sunrise/sunset environment
 - Hand-held operation, more convenient to use
- IP Level : IP20
 - Voltage: DC 12V
 - Body: PC
 - Warranty: 2 Years

FC CE RoHS

— MarsEVOL LIGHTING

PRODUCT DESCRIPTION



Compact Dimming Controller, two channels can be set, each channel can connect up to 25 lamps;

This compact dimming controller equipment includes a 100~240Vac power adaptor, a dimming signal cable + pigtail dimming power cable (total length 2.5 meters / 8.2 feet);

PRODUCT OUTLINE



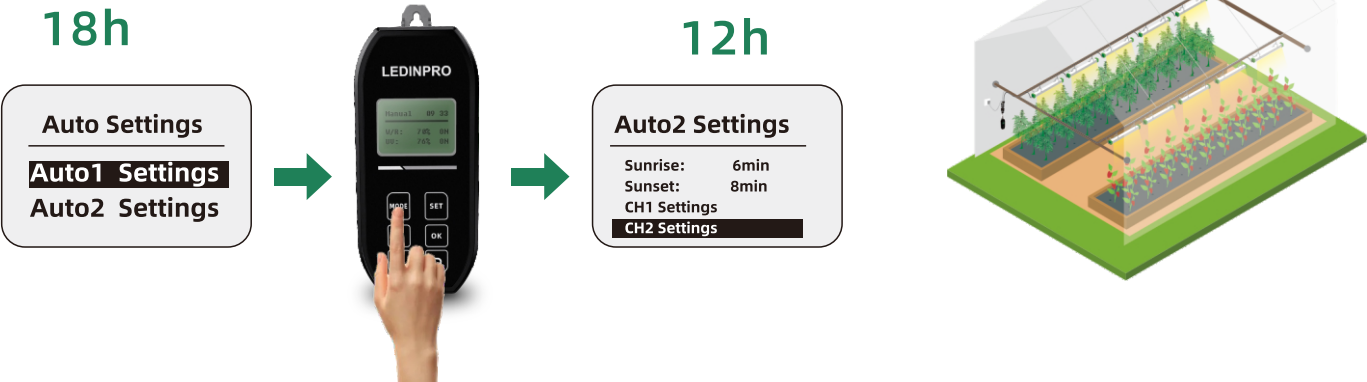
FUNCTION DESCRIPTION

1. Provides manual control, two preset automatic control programs

2. Manual light switch can be controlled, dimming from 100% to 10%

| | |
|---------------|----------------|
| Manual | 09 33 |
| CH1: | 100% ON |
| CH2: | 10% OFF |

3. Timing programs for two different photoperiods can be pre-set, enabling quick switching during planting.

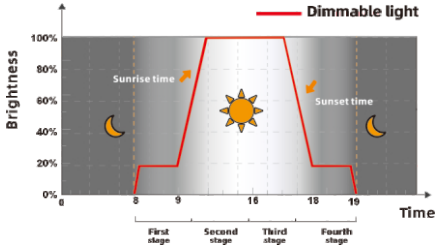


DESCRIPTION OF TIMER SETTING FUNCTION

1. Brightness can be set in 4 phases in each photoperiod

| Start | End | CH1 |
|--------------|--------------|------------|
| 08:00 | 10:00 | 50% |
| 10:00 | 14:00 | 80% |
| 14:00 | 18:00 | 100% |
| 18:00 | 20:00 | 50% |

2. Imitate sunrise or sunset in 1-15min

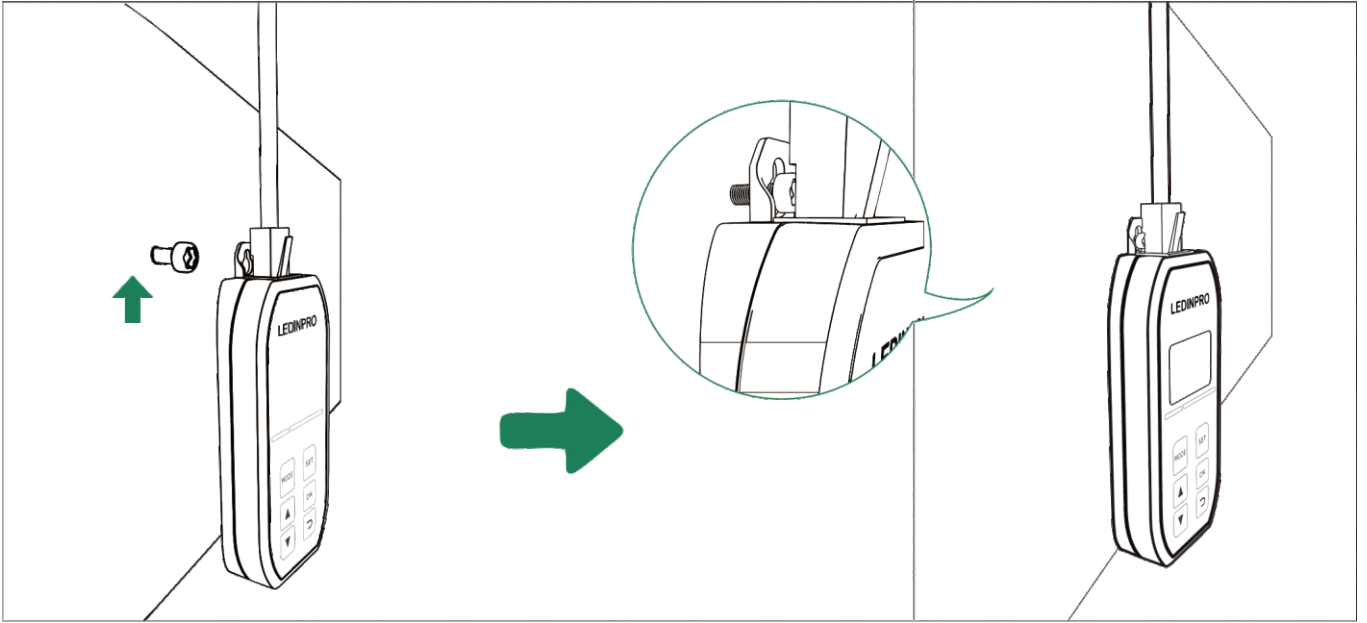


PRODUCT PARAMETER DETAILS

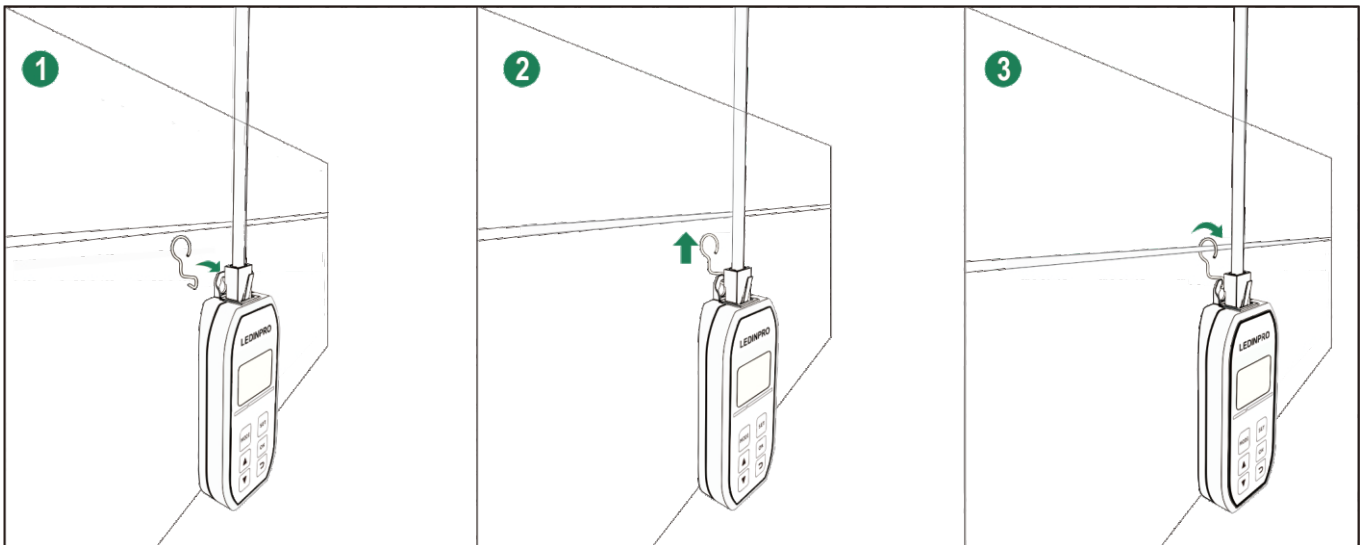
| | Type NO. | Adapter voltage | Controller voltage | Output voltage | Body |
|---------------|----------|-----------------|--------------------|-------------------|------|
| North America | 418-0001 | 100-240VAC | 12V DC | 0-10v-Two Channel | PC |
| Europe | 418-0002 | 220-240VAC | 12V DC | 0-10v-Two Channel | PC |

INSTALLATION METHOD

► Installation method I



► Installation method II





MarsEVOL

ABOUT US>>

MarsEVOL was established in 2006, 17 years of professional optoelectronic design and manufacturing experience;

With the concept of "LED-Innovation-Profession", which is one of the earliest LED lighting design manufacturers. The current product line covers Industrial and Commercial lighting, Aquarium lighting, Horticulture lighting, poultry lighting, and various professional control systems, such as Wifi, Bluetooth mesh, Zigbee.

Now MarsEVOL's solution was applied in numerous projects all over the world at all scales.



Deep Cultivation And Scientific Research

Professional R&D team, including a structural team, an electronic team, an optical team, an engineering process team, a software team, and a testing team.



Advanced Production Equipment

Full set of optical and electrical laboratories, as well as advanced factory equipments.



Strong Enterprise Strength

The earliest VDE certification was obtained in 2007. Up to now, the certifications have VDE, UL, ETL, ENEC, TUV, CE, FCC., EMC,LVD, RoHS, KC, SAA, CB and so on.



Strict Quality Control

ISO9001 quality control system, with IQC, IPQC, OQC teams and processes.



Numerous Patents

Hundreds of patents (Continue to be updated)

ABOUT OUR SMART CONTROL SYSTEM

1-HarveStation is combined by the PAD, Host controller, Par detector, Dimming Controller and Dimming Amplifier. It supports DLI automatic management, controls the dimming of fixture and develops detailed lighting strategies.

It supports lighting partition control, full cycle control, sunlight DLI data statistics, temperature and humidity data statistics. It can effectively balance sunlight and artificial lighting and save lighting energy consumption to the maximum extent.

Statistics can help growers better improve their lighting strategies and gain more productivity.



2-Compact Dimming Controller, two channels can be set, each channel can connect up to 25 lamps;

This compact dimming controller equipment includes a 100~240Vac power adapter, a dimming signal cable + pigtail dimming power cable (total length 2.5 meters / 8.2 feet);

