


INSTALLATION INSTRUCTIONS INSTRUCTIONS D'INSTALLATION

PARSYS PRO



BEFORE INSTALLATION

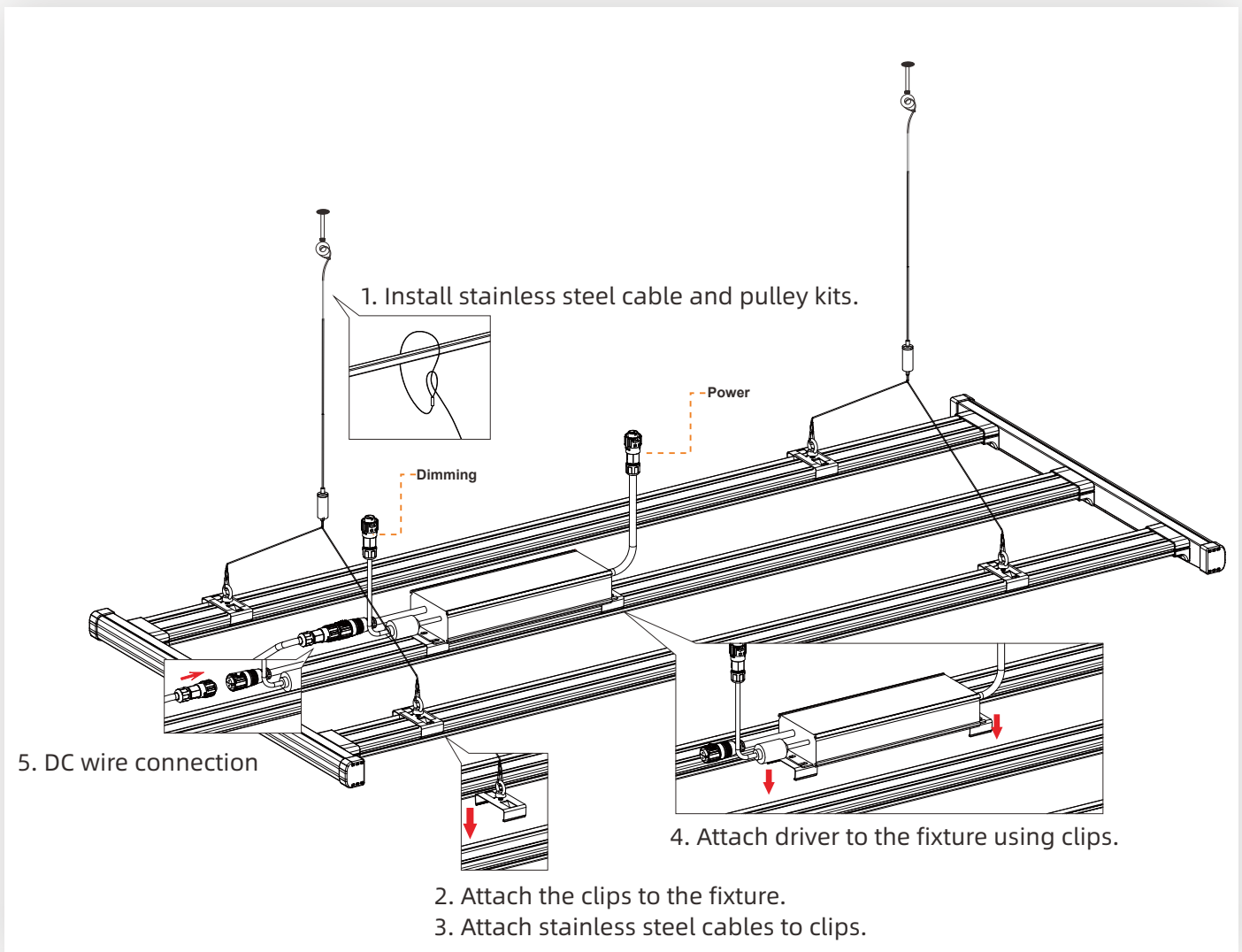
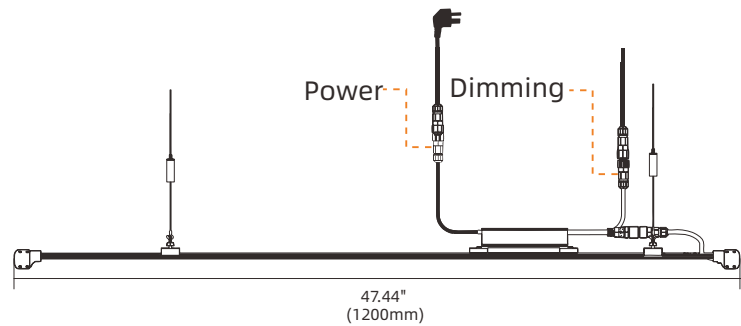
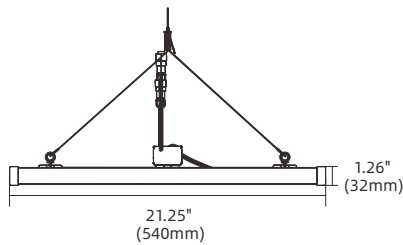
 **Important information**
Read carefully

This guide explains how to install PARSYS PRO. All warnings and cautions should be followed. Installation must be performed by qualified electricians in accordance with national and local electrical and building codes.

CONSULT A QUALIFIED ELECTRICIAN TO ENSURE CORRECT BRANCH CIRCUIT CONDUCTOR.
CONSULTER UN ÉLECTRICIEN QUALIFIÉ POUR VOUS ASSURER QUE LES CONDUCTEURS DE LA DÉRIVATION SONT ADÉQUATS.

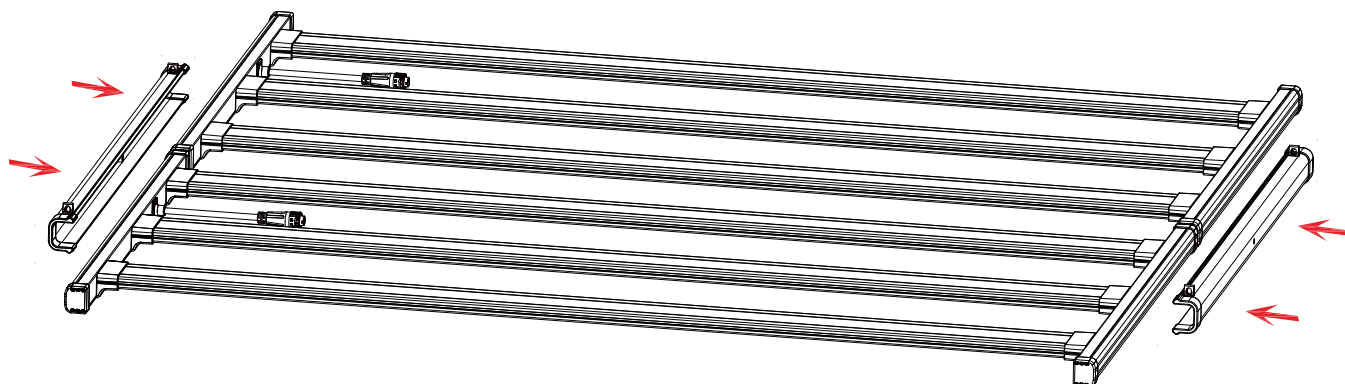
INSTALLATION INSTRUCTIONS

Suspending Installation Instructions

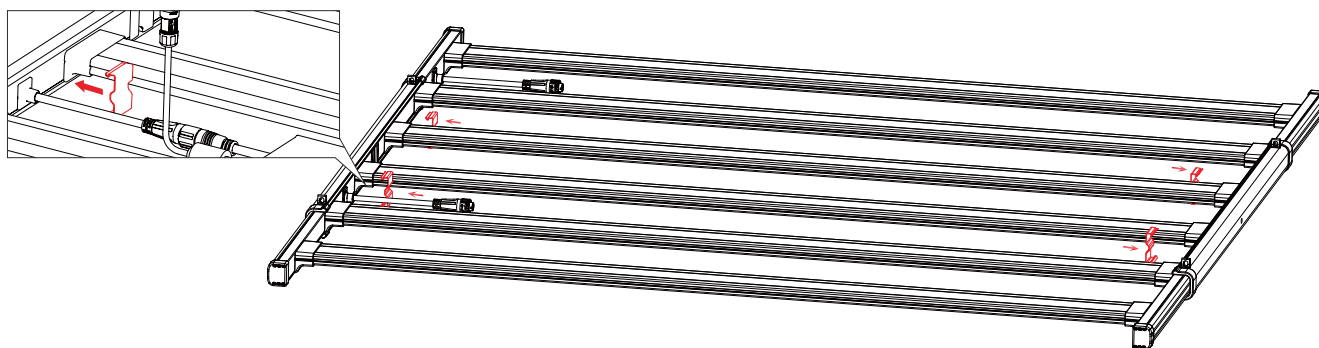


I. Interconnection Stainless Clips Installation

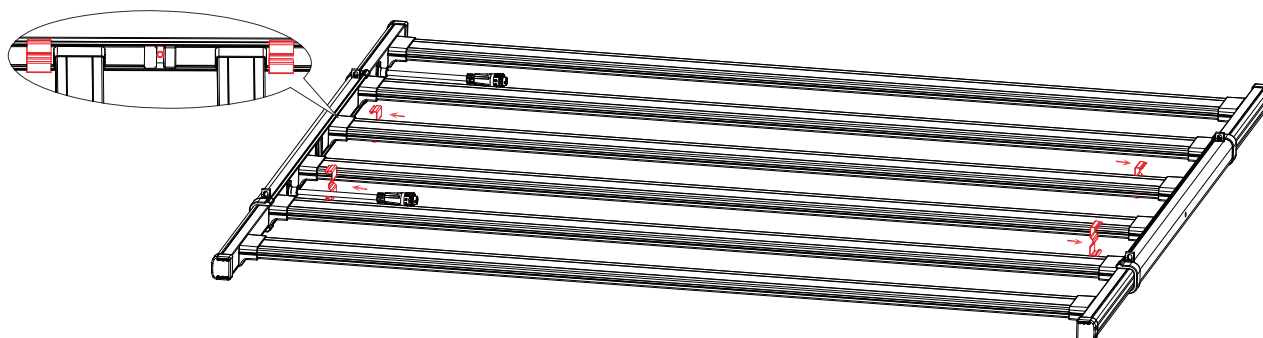
1. Interconnection stainless clips on the edge of the fixture.



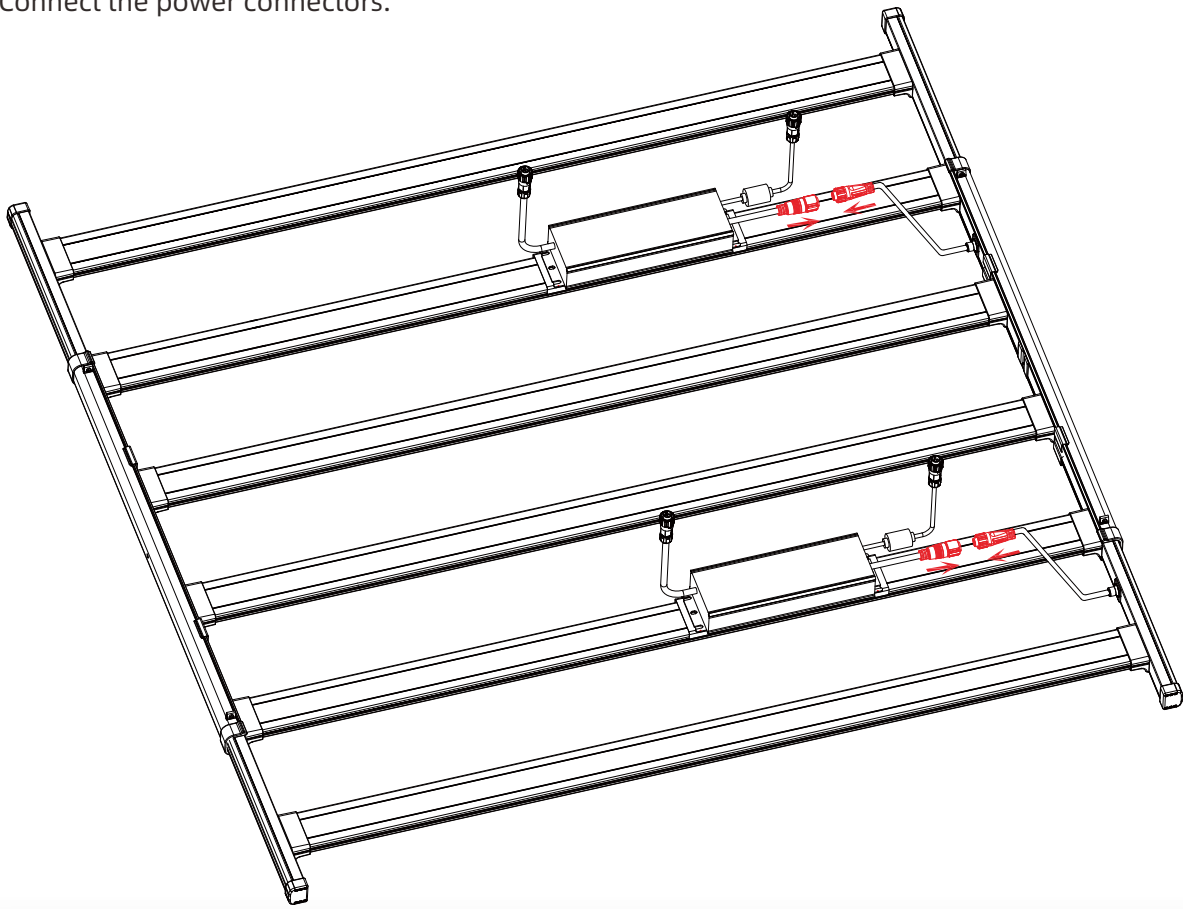
2. Use the stainless steel clips to fix the interconnection clips from the inside of the fixture.



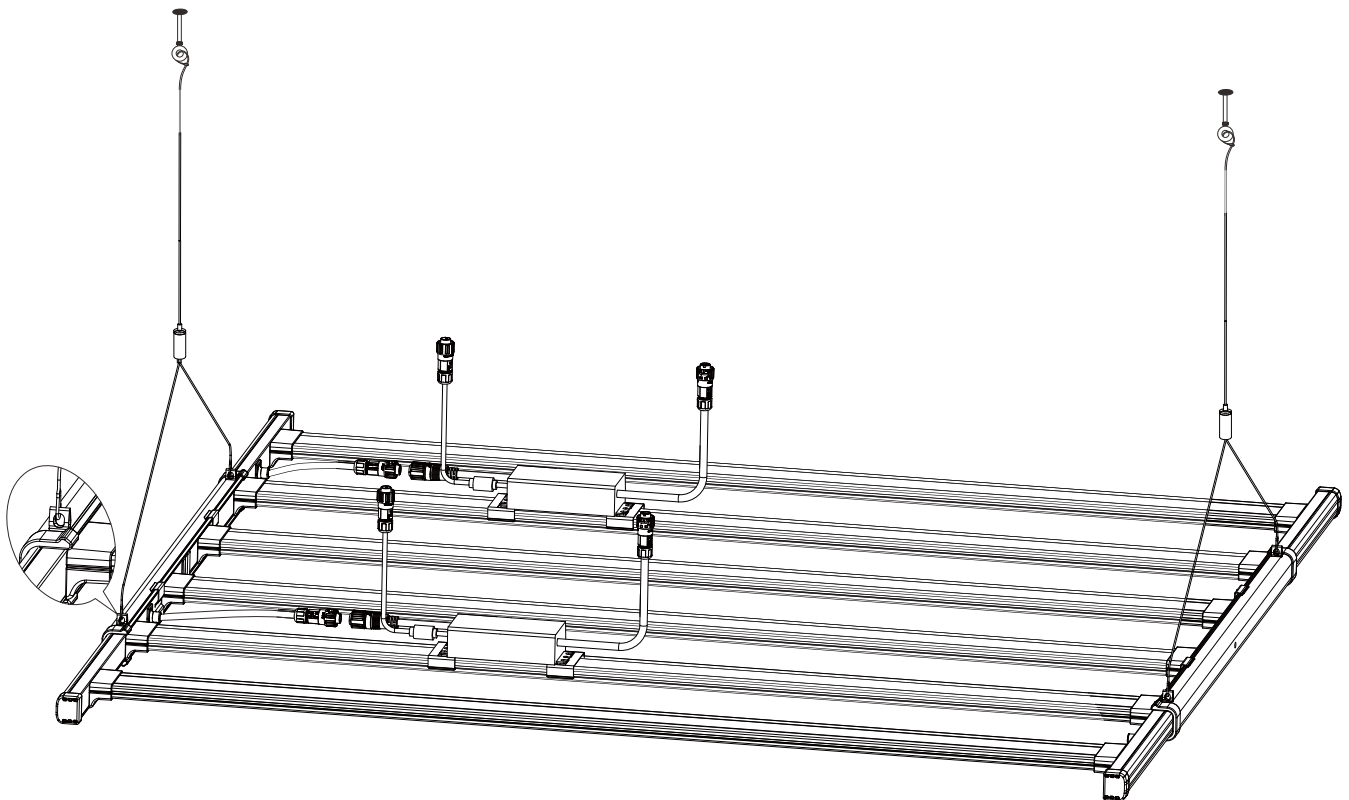
3. Two modules should be fixed closely to the protruding point inside the interconnection stainless clip.



4. Connect the power connectors.

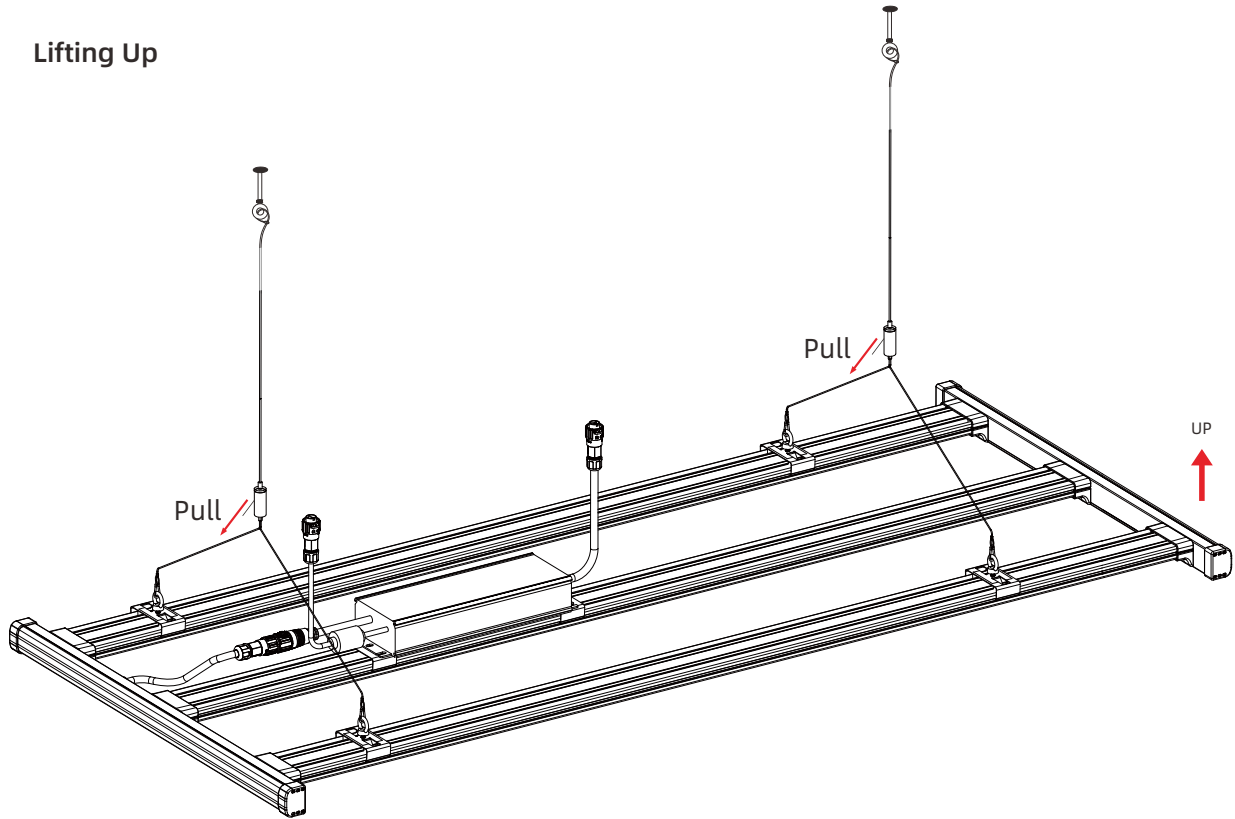


5. Install the stainless steel cables on the rings of the interconnection stainless clips.

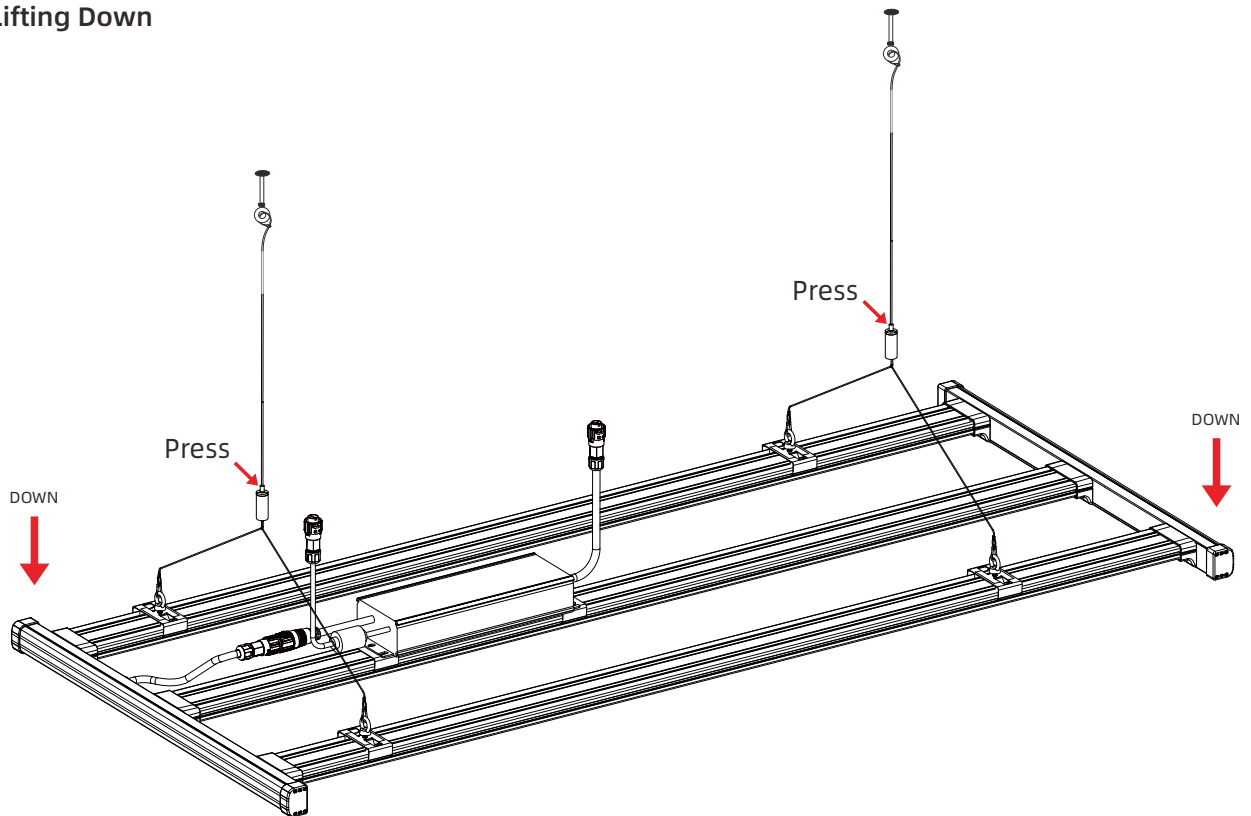


II. Height adjustment

Lifting Up

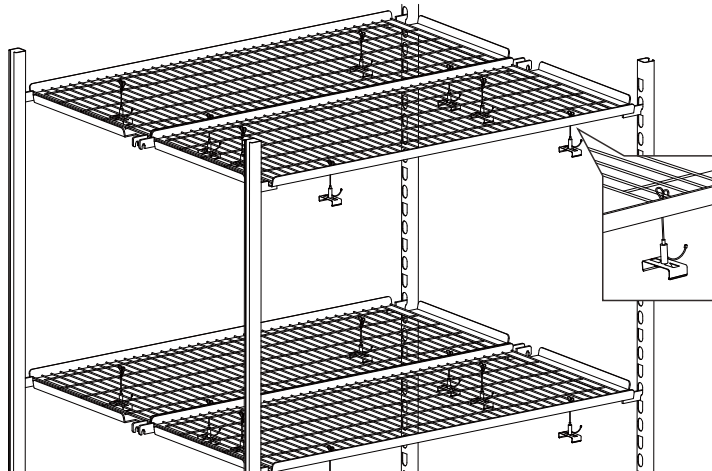


Lifting Down



INSTALLATION INSTRUCTIONS

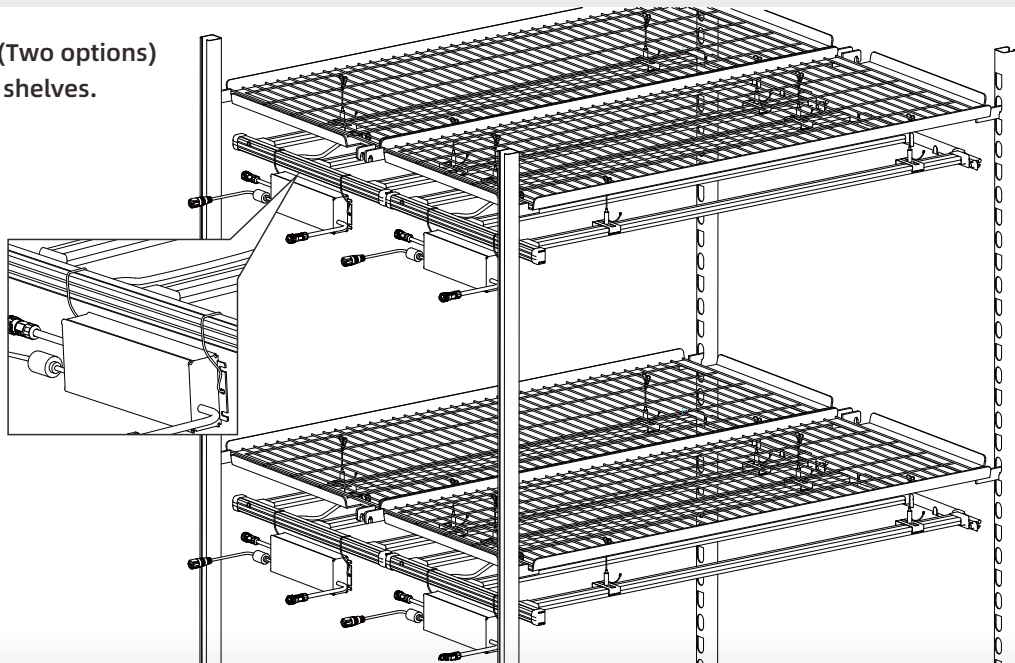
Vertical Shelves Installation Instructions



install the adjustable clip kits on the shelves.

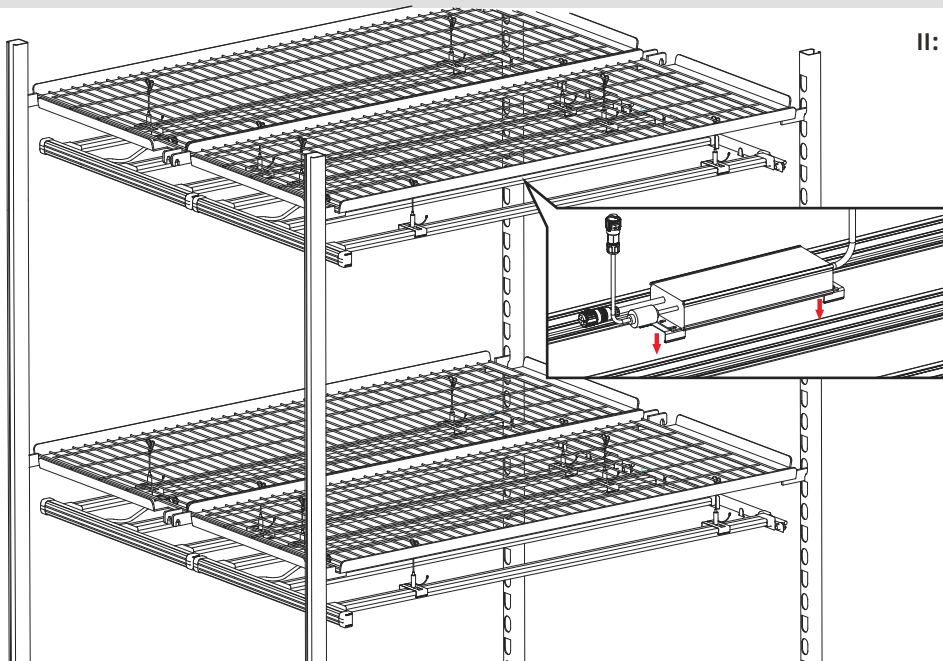
Driver Installation (Two options) I: Install driver on the shelves.

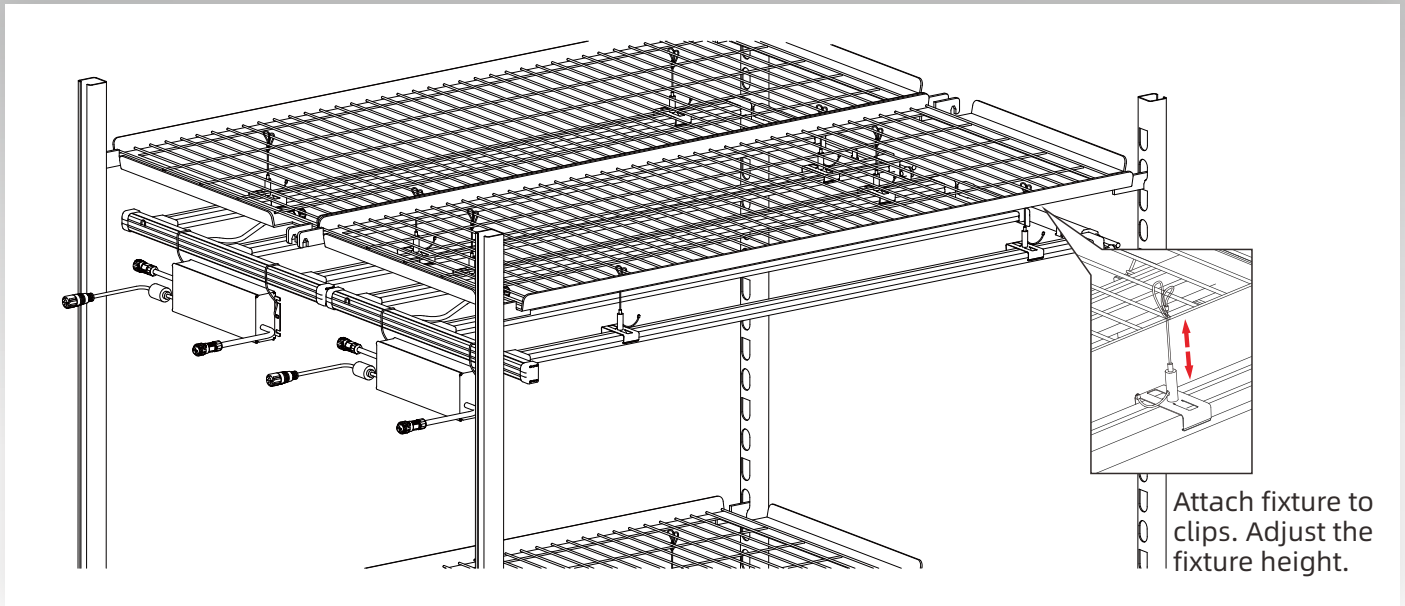
Attach the driver on one side of shelves using hooks.



II: Install driver on the fixture.

Attach the driver to the backside of fixture using clips.





Attach fixture to clips. Adjust the fixture height.



IMPORTANT TO INSTALLATION

- Disconnect the power supply before installation. Installation must be performed by qualified electricians in accordance with national and local electrical and building codes.
- Use a junction box with IP level IP66.
- Be sure that the stainless clips are installed securely to prevent the lamp from coming loose and falling.
- Please follow the Installation Instructions to connect power cable and dimming cable.
- The lamp must be oriented with the light shining downward, and not upward or to the side. Damage to the lamp fixture caused by heat
- Do not turn on the power until installation is completed.



IMPORTANT TO LIGHTS

- Do not modify or alter the product as this will void the warranty.
- The light sources (LEDs) are not serviceable or replaceable.
- Please ensure lights work under specified voltage.
- Please ensure lights work under specified temperature range.
- Please do not exceed max interconnection quantity.



MarsEVOL

LED-INNOVATION-PROFESSION

Copyright Reserved. Without the written permission of the copyright owner, duplicate this manual or part of the manual is prohibited.
Information provided here is not apart of any offer or contract. Our company believes the content is accurate and reliable.
Releasing this information is not meant to transfer or imply any patent certification or other industry or knowledge and intellectual property.

© MarsEVOL QNLMYNSL7577256
Xzgojhy%t%hmfslj%|nymtzy%stynhj 1 Tolerance ±10%
Mtwynhzqzy%qnlmynsl%£%Sty%xznyfg%kmtzjmtqi%nqqzrnsfynts3

 www.marsevol.com
 info@marsevol.com