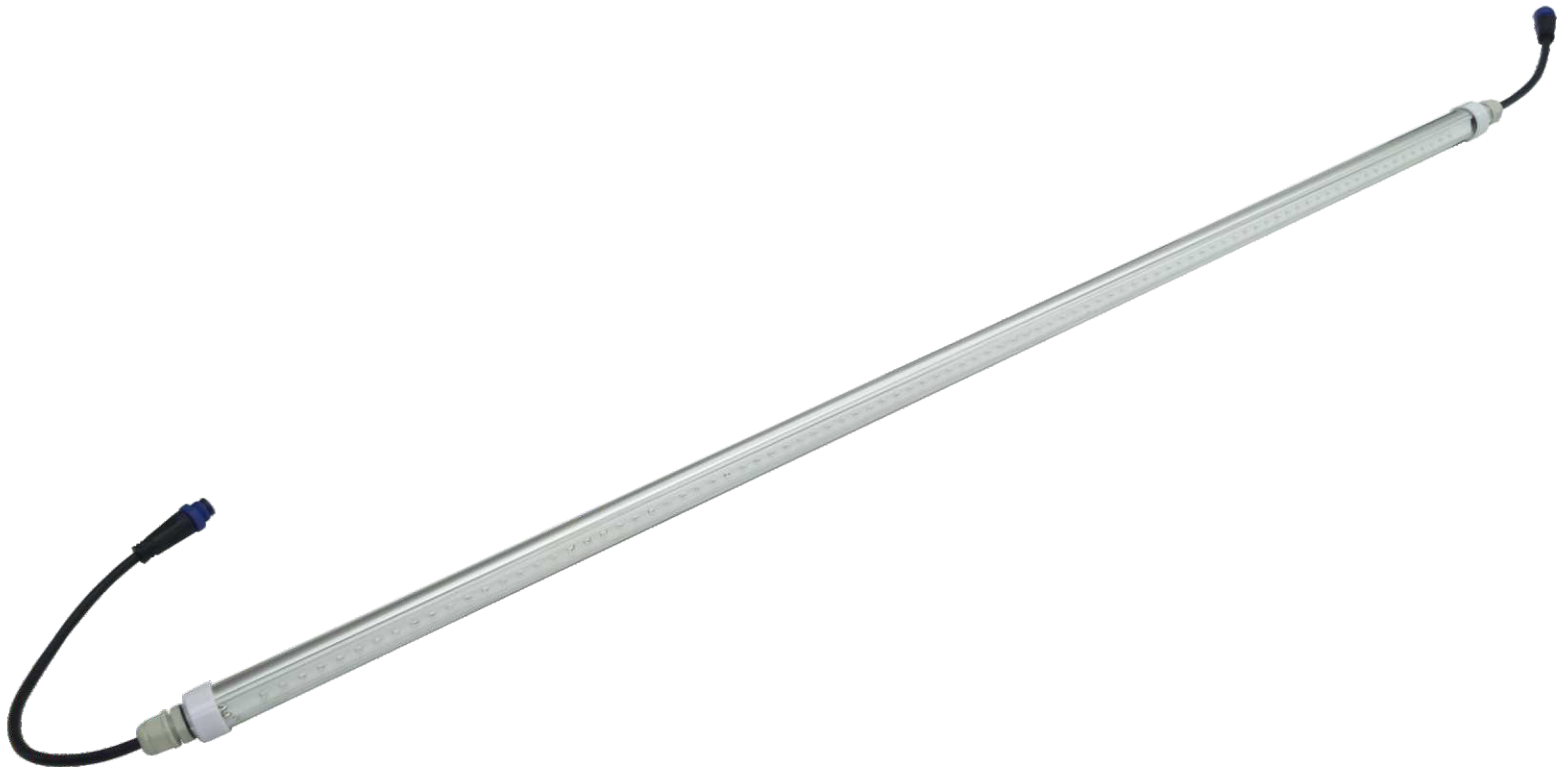




MarsEVOL

Quick Installation Guide

FLORAID



CE RoHS

©Copyright 2022 MarsEVOL LIGHTING 2022-01
Subject to change without notice, Tolerance ±10%
Horticulture lighting | Not suitable for household illumination.


 www.marsevol.com
 info@marsevol.com



MarsEVOL

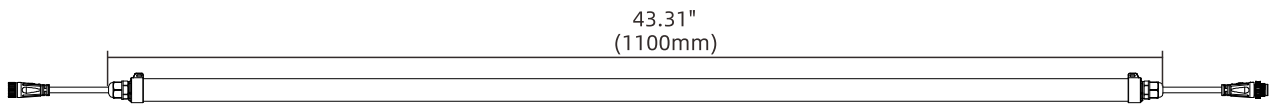
FLORAID

BEFORE INSTALLATION

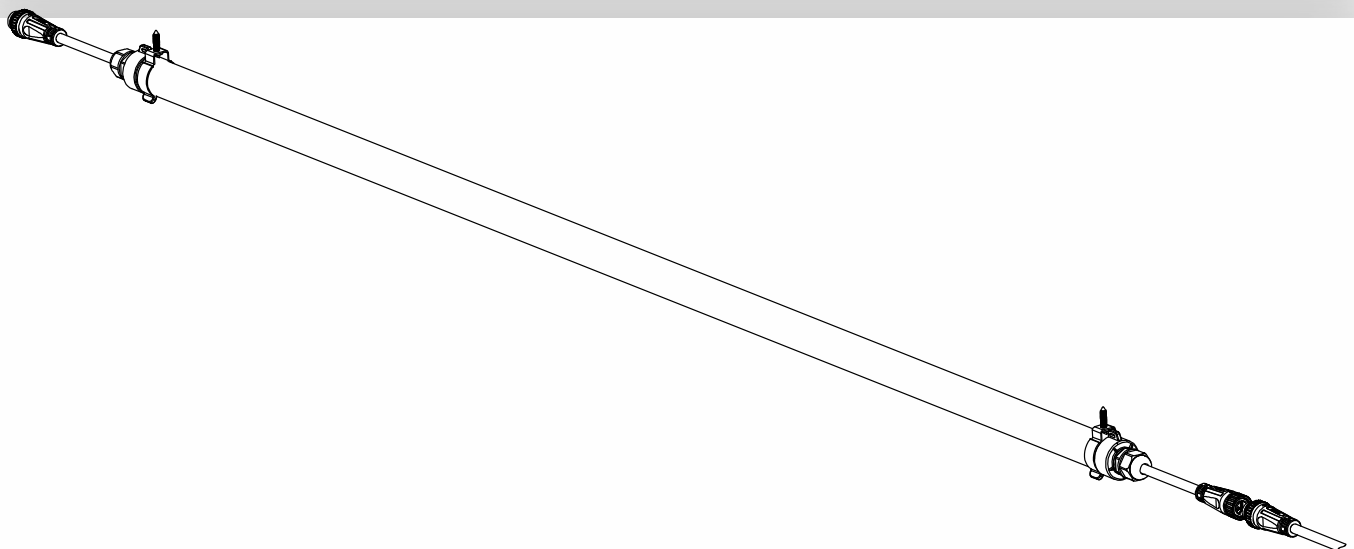
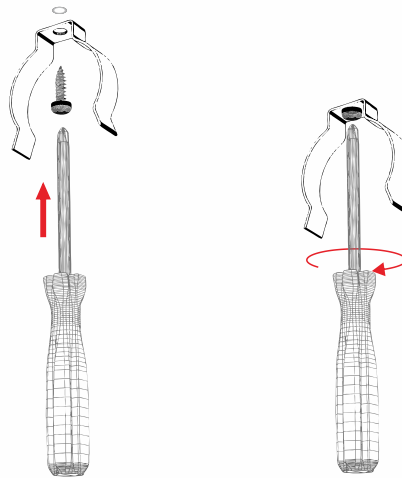
 **Important information**
Read carefully

This guide explains how to install FLORAID. All warnings and cautions should be followed. Installation must be performed by qualified electricians in accordance with national and local electrical and building codes.

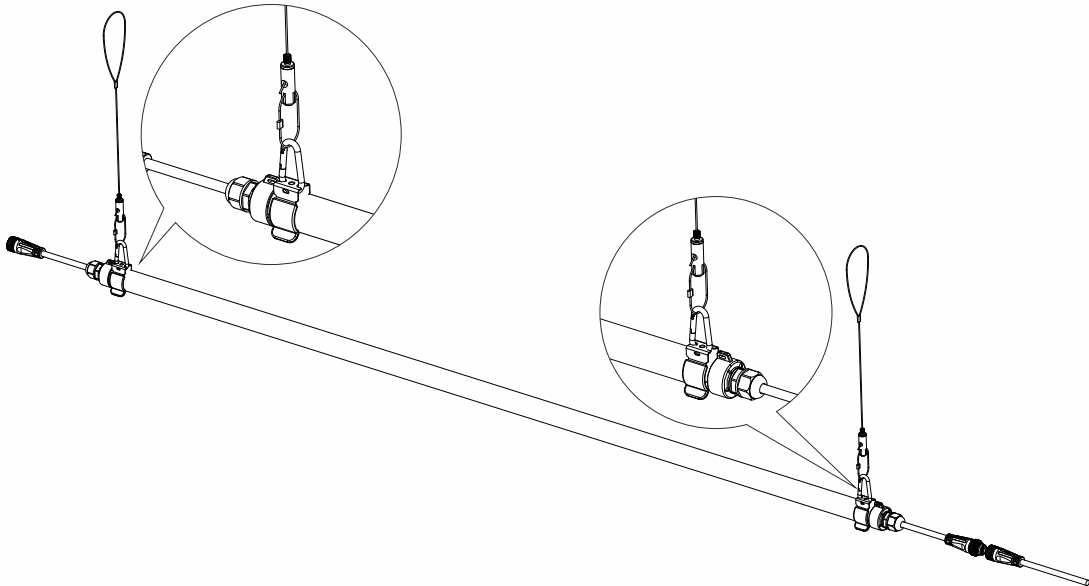
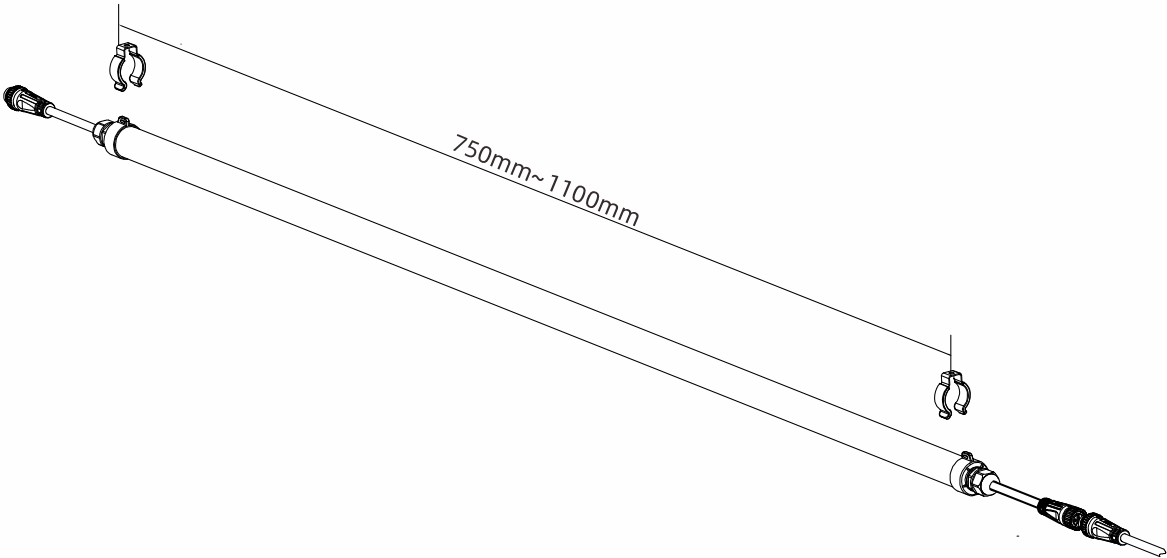
INSTALLATION INSTRUCTIONS



I. Ceiling Installation instructions

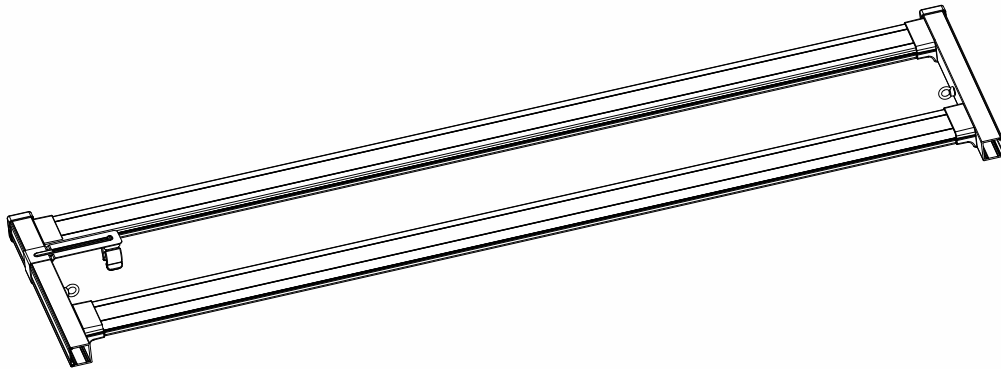


II. Suspension installation instructions

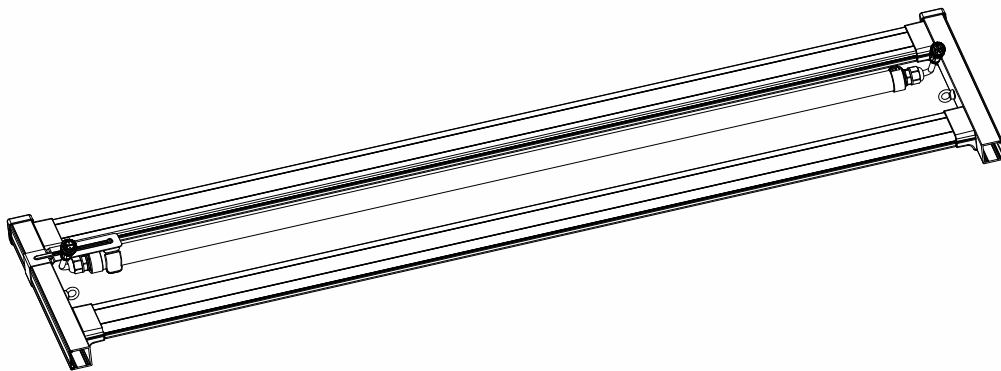


II. Installation on other light:

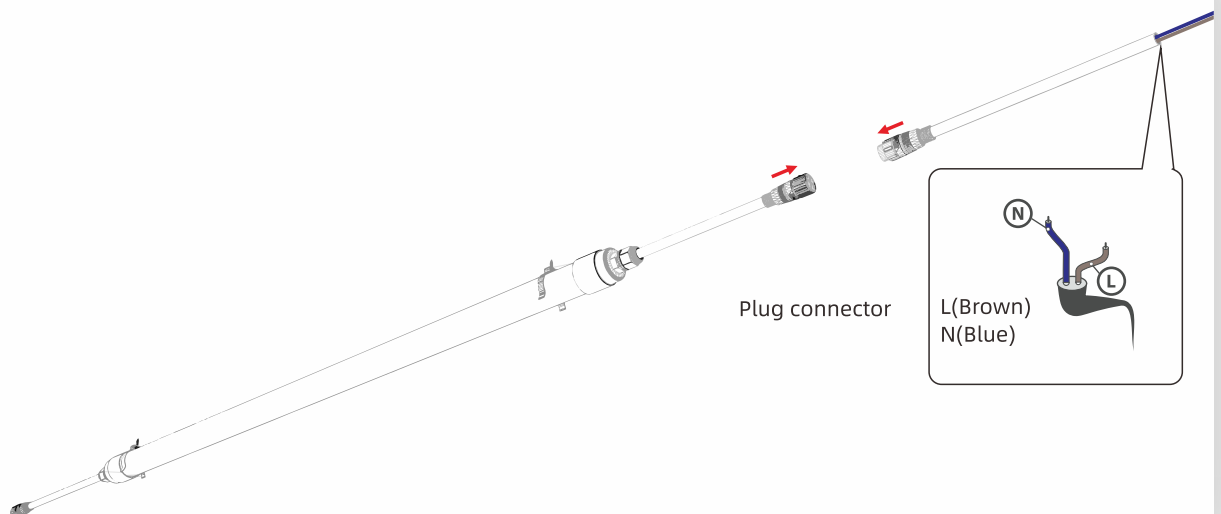
1. Fix the square aluminium installation kit on the fixture frame



2. Install the light with the clip part

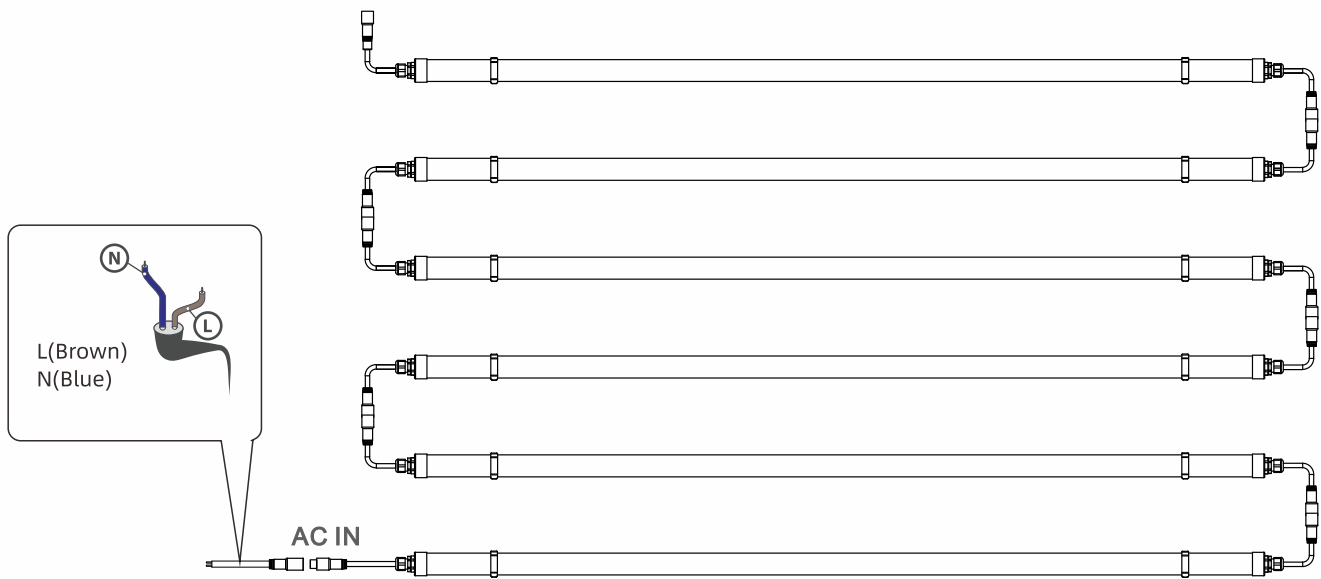


III . Interconnection Instructions



VI . Interconnection Overview

To make the lights waterproof, pls install the end cap.



IMPORTANT TO INSTALLATION

- Disconnect the power supply before installation. Installation must be performed by qualified electricians in accordance with national and local electrical and building codes.
- Use a junction box with IP level IP66.
- Be sure that the stainless clips are installed securely to prevent the lamp from coming loose and falling.
- Please follow the Installation Instructions to connect power cable and dimming cable.
- The lamp must be oriented with the light shining downward, and not upward or to the side. Damage to the lamp fixture caused by heat
- Do not turn on the power until installation is completed.



IMPORTANT TO LIGHTS

- Do not modify or alter the product as this will void the warranty.
- The light sources (LEDs) are not serviceable or replaceable.
- Please ensure lights work under specified voltage.
- Please ensure lights work under specified temperature range.
- Please do not exceed max interconnection quantity.





MarsEVOL

LED-INNOVATION-PROFESSION

Copyright Reserved. Without the written permission of the copyright owner, duplicate this manual or part of the manual is prohibited.
Information provided here is not apart of any offer or contract. Our company believes the content is accurate and reliable.
Releasing this information is not meant to transfer or imply any patent certification or other industry or knowledge and intellectual property.

©Copyright 2022 MarsEVOL LIGHTING 2022-01
Subject to change without notice, Tolerance ±10%
Horticulture lighting | Not suitable for household illumination.

 www.marsevol.com
 info@marsevol.com