

INSTALLATION INSTRUCTIONS INSTRUCTIONS D'INSTALLATION

PARSYS STAR



RoHS **CE**  **CB**

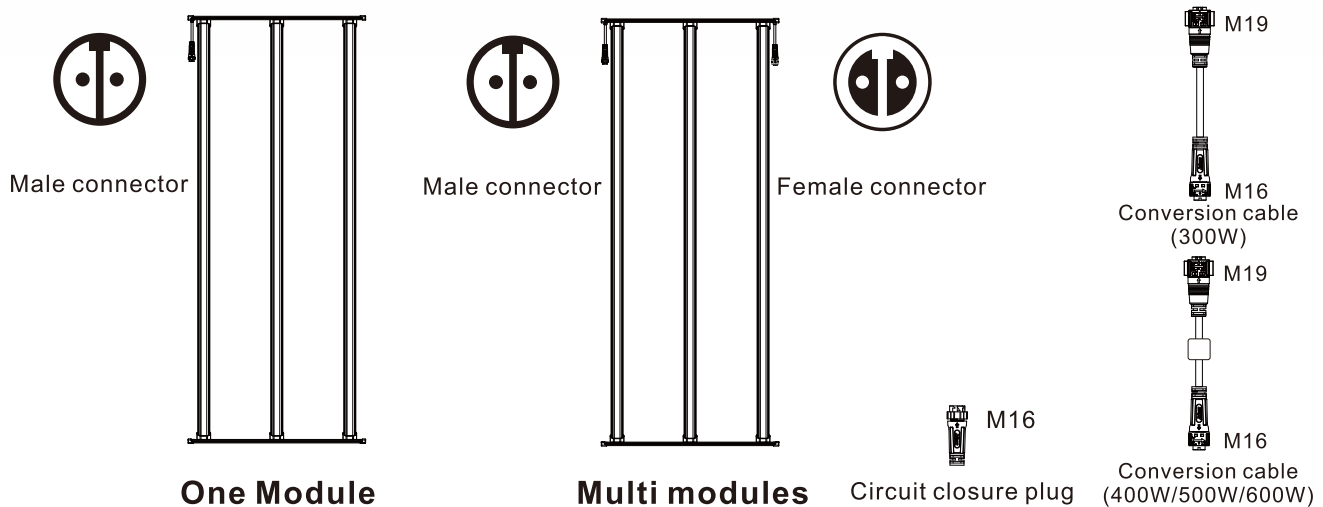
BEFORE INSTALLATION

 **Important information**
Read carefully

This guide explains how to install PARSYS STAR. All warnings and cautions should be followed. Installation must be performed by qualified electricians in accordance with national and local electrical and building codes.

CONSULT A QUALIFIED ELECTRICIAN TO ENSURE CORRECT BRANCH CIRCUIT CONDUCTOR.
CONSULTER UN ÉLECTRICIEN QUALIFIÉ POUR VOUS ASSURER QUE LES CONDUCTEURS DE LA DÉRIVATION SONT ADÉQUATS.

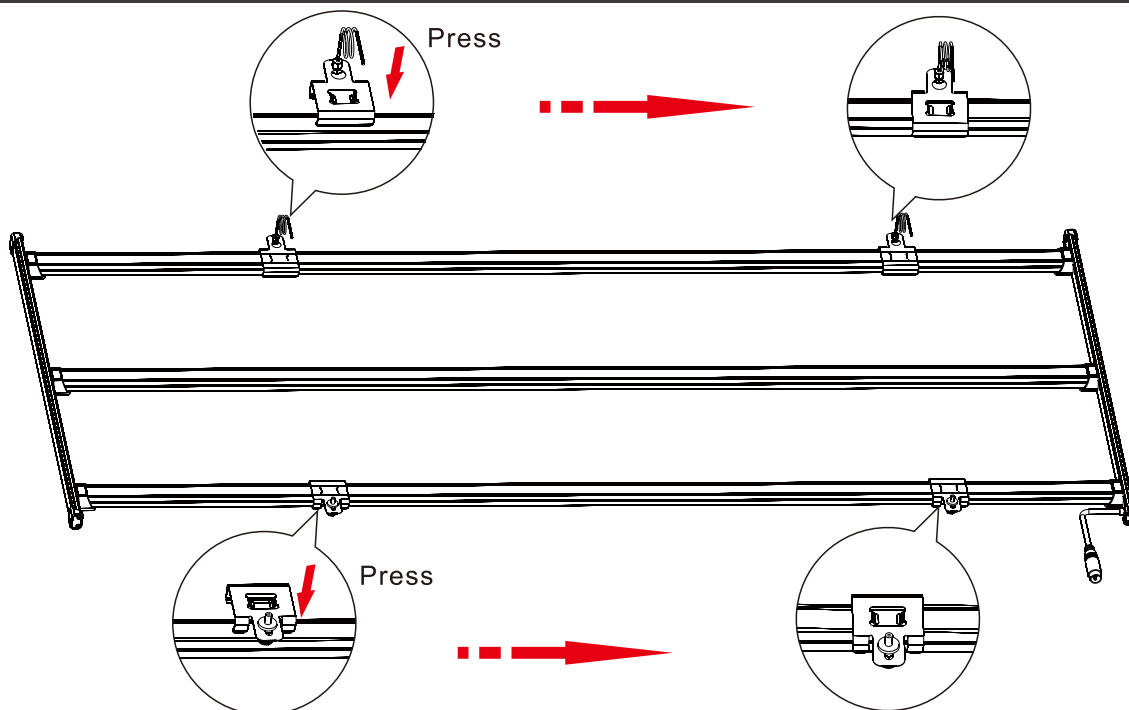
INSTALLATION INSTRUCTIONS



INSTALL MODULES

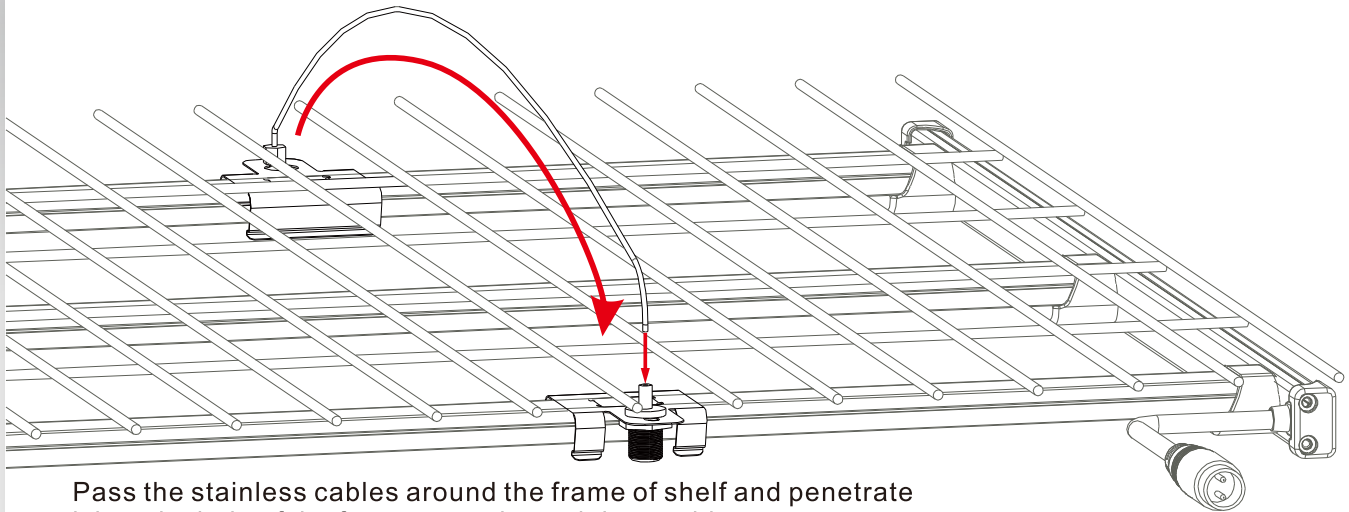
Installed with Stainless Steel Clips & Cables

I. Stainless Clips Installation



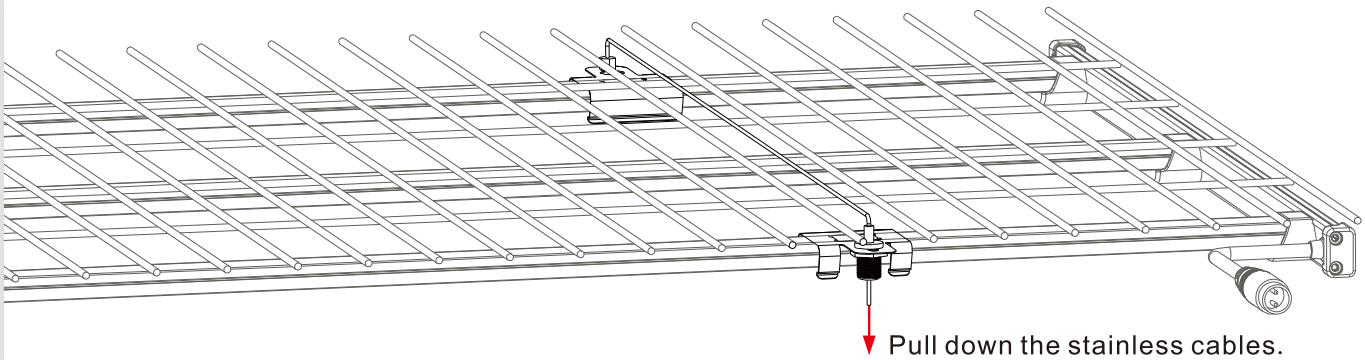
Stainless clips installation kits for one module consist of 2 pcs stainless clips with stainless cables and 2pcs stainless clips with fastener.

II. Connect Stainless Cables



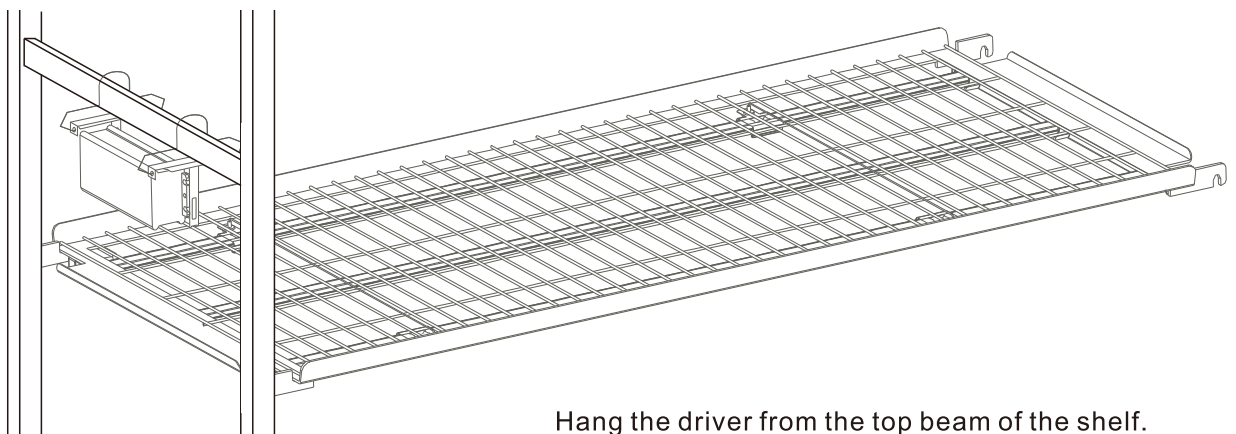
Pass the stainless cables around the frame of shelf and penetrate it into the hole of the fastener on the stainless cables.

III. Pull and Lock Stainless Cables



Pull down the stainless cables.

IV. Driver Installation

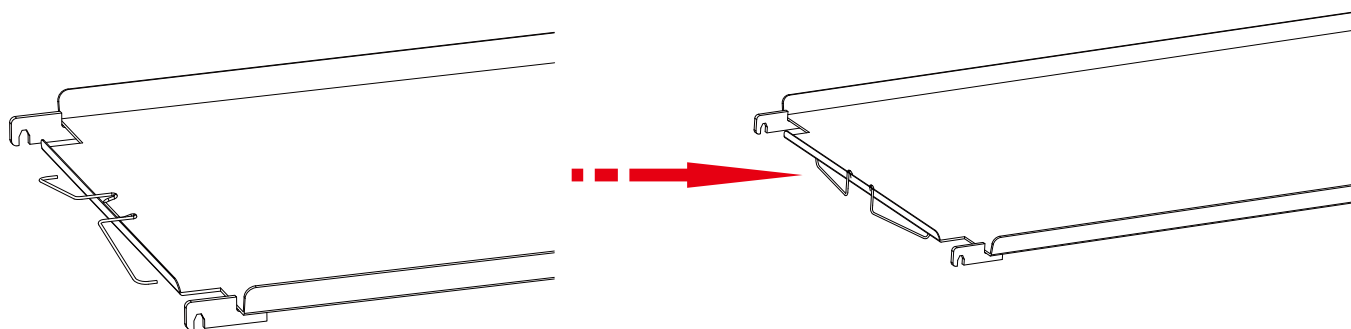


Hang the driver from the top beam of the shelf.

INSTALLED WITH HOOKS

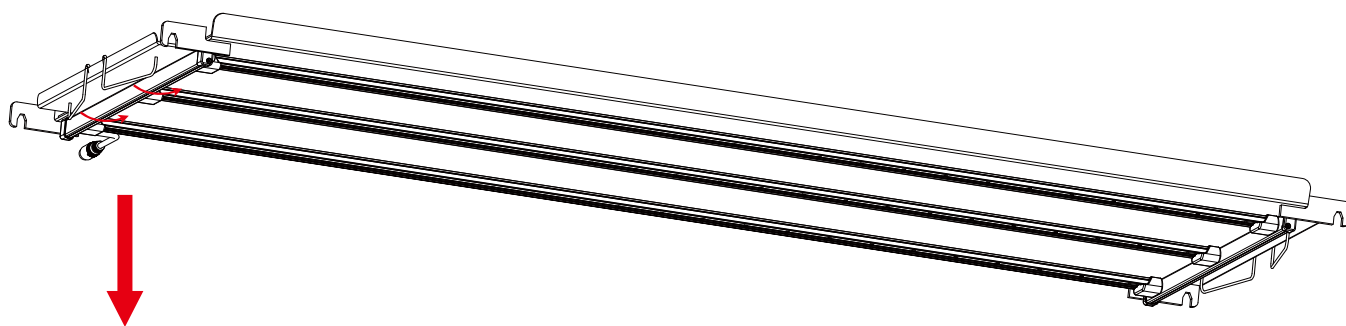
I. Attach M-shaped Stainless Hooks

(M-shaped hooks designed to fit CC Racks only)

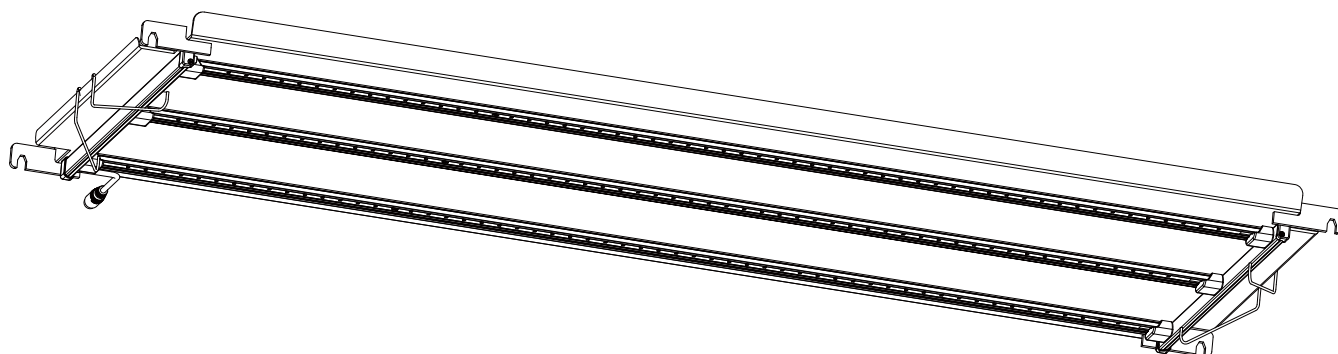


Place hook on shelf edge, rotate clip while pressing down to install. Repeat on other side.

II. Install Modules



Place LED module under shelf and attach ends of module to the hooks.

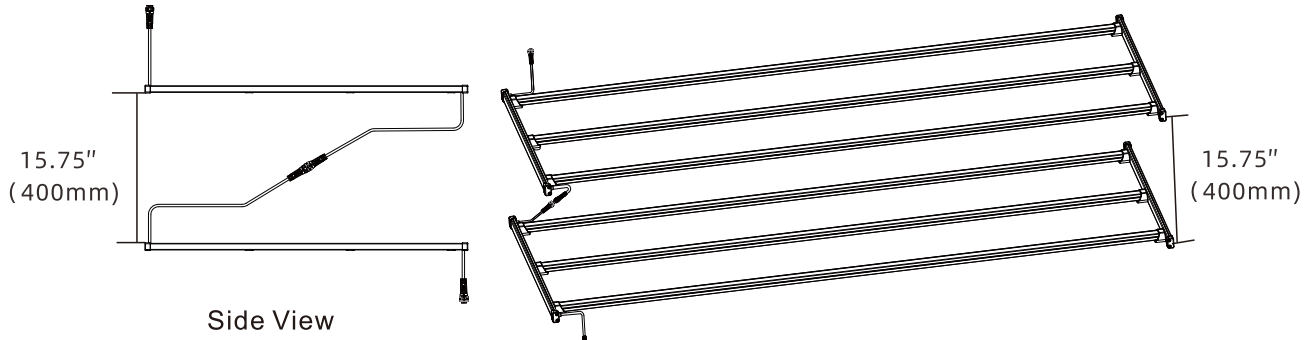


Repeat for the remaining modules on the CC rack.

INTERCONNECTION

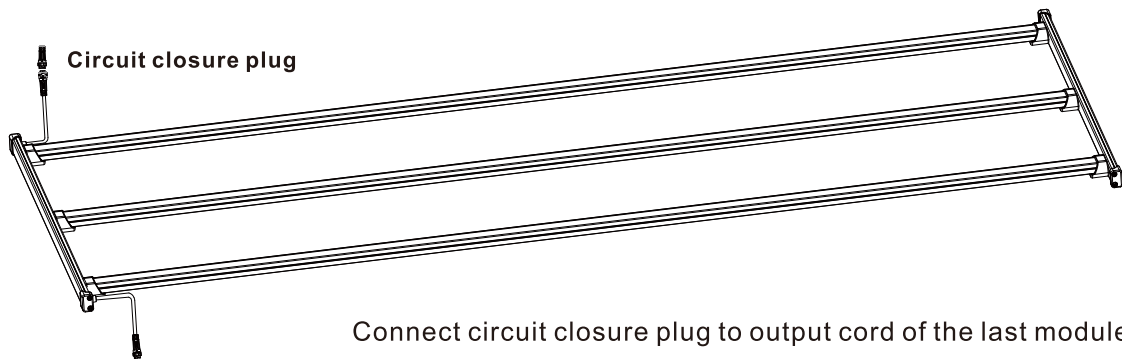
Vertical Installation

I. Modules Interconnection



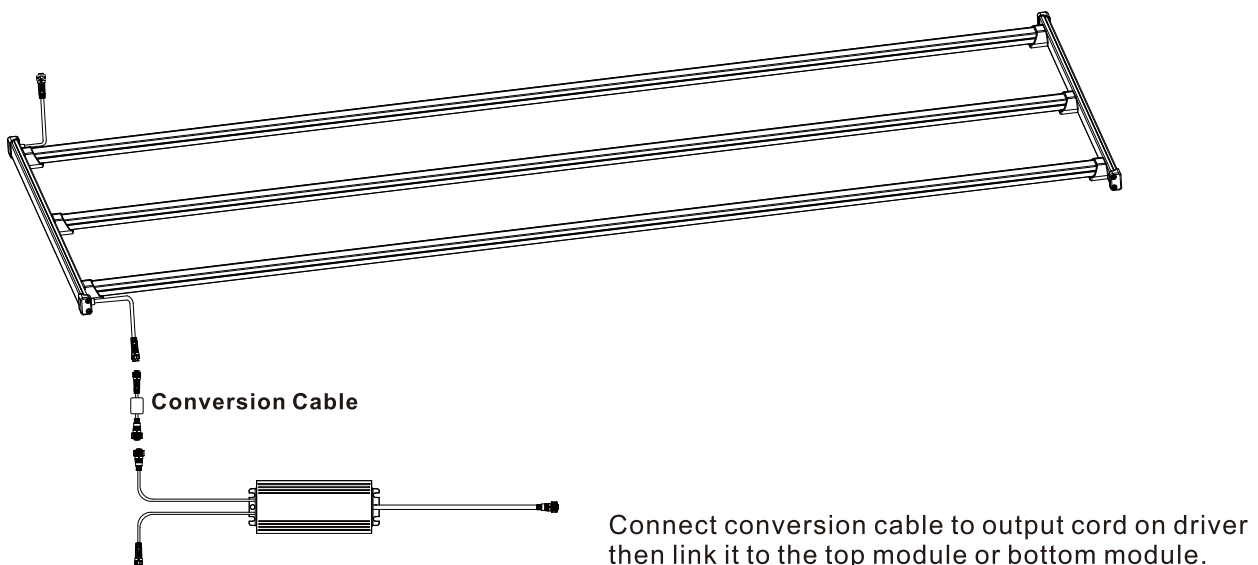
Connect two modules as shown in the figure above
15.75"(400mm)recommended space between two tiers{MAX17.72"(450MM)}

II. Connect Circuit Closure Plug



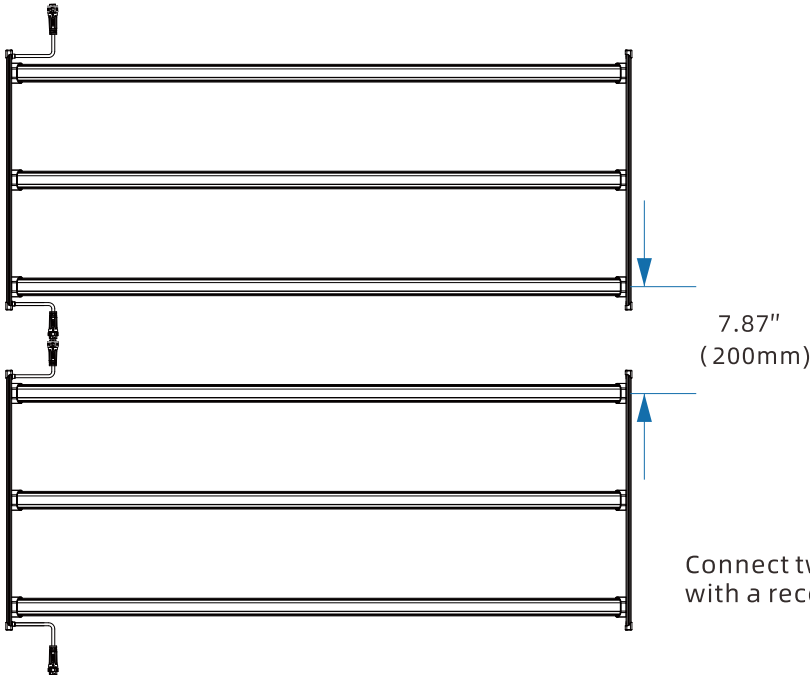
Connect circuit closure plug to output cord of the last module.

III. Connect Driver



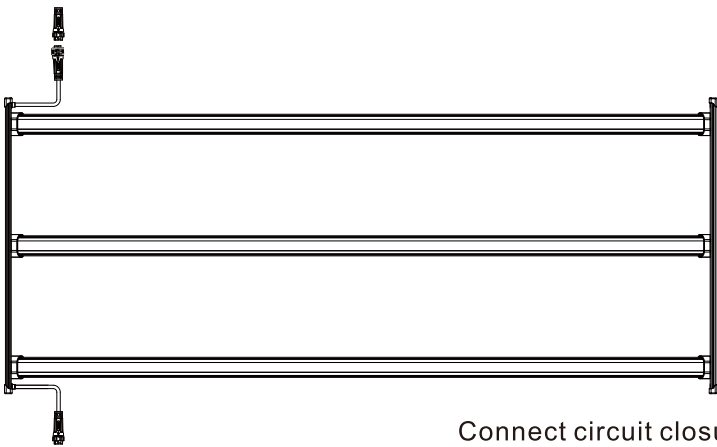
Horizontal Installation

I. Modules Interconnection



Connect two modules as shown in the figure above, with a recommended spacing fo 7.87" (200mm)

II. Connect Circuit Closure Plug



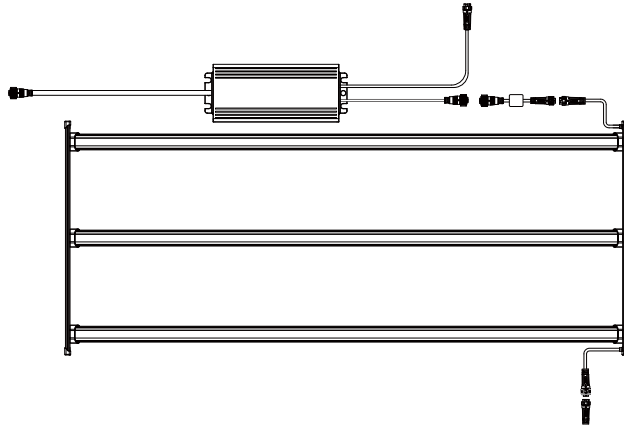
Circuit Closure Plug
It cannot be used without the Circuit Closure Plug

Connect circuit closure plug to output cord of the last module.

III. Connect Driver

Conversion Cable


Dimming input, if you don't connect dimming cable, pls install the end cap to make the lights waterproof.



Circuit Closure Plug

It cannot be used without the Circuit Closure Plug

Connect circuit closure plug to output cord on driver then link it to module.

L	BROWN/BLACK
N	BLUE/WHITE
	YELLOW-GREEN/GREEN
DIM+	RED/PURPLE
DIM-	BLACK/GREY



IMPORTANT TO INSTALLATION

- Disconnect the power supply before installation. Installation must be performed by qualified electricians in accordance with national and local electrical and building codes.
- Use a junction box with IP level IP66.
- Be sure that the stainless clips are installed securely to prevent the lamp from coming loose and falling.
- Please follow the Installation Instructions to connect power cable and dimming cable.
- The lamp must be oriented with the light shining downward, and not upward or to the side. Damage to the lamp fixture caused by heat
- Do not turn on the power until installation is completed.



IMPORTANT TO LIGHTS

- Do not modify or alter the product as this will void the warranty.
- The light sources (LEDs) are not serviceable or replaceable.
- Please ensure lights work under specified voltage.
- Please ensure lights work under specified temperature range.
- Please do not exceed max interconnection quantity.





MarsEVOL

LED-INNOVATION-PROFESSION

Copyright Reserved. Without the written permission of the copyright owner, duplicate this manual or part of the manual is prohibited.
Information provided here is not apart of any offer or contract. Our company believes the content is accurate and reliable.
Releasing this information is not meant to transfer or imply any patent certification or other industry or knowledge and intellectual property.

©Copyright 2022 MarsEVOL LIGHTING 2022-01
Subject to change without notice, Tolerance ±10%
Horticulture lighting | Not suitable for household illumination.

 www.marsevol.com
 info@marsevol.com