



MarsEVOL



PARSYS MAX

▶ For indoor farming

Product Features:

- 5 years warranty.
 - RJ45/RJ12 interface.
 - High efficacy and light output - 2.8 $\mu\text{mol}/\text{J}$, making it a top-performing solution for indoor growing.
 - 720W / 800W / 1000W optional for different indoor plants growth.
 - Full spectrum suitable for the whole growth cycle.
 - Updated foldable design ensures easy installation.
 - 0-10V dimming, compatible with all the smart control systems.
- Protection Level: IP65
 - Fold angle: 180° Foldable
 - Warranty: 5 Years
 - Dimming Type: 0-10V



CB CE RoHS

— MarsEVOL LIGHTING

PRODUCT PARAMETERS







	Type NO.	Power	Efficiency	PPF	Module	Voltage	Dimming	LED
Europe	514-0001	720W	2.8 μ mol/J	2016 μ mol/s	Foldable version with six bars	200-240VAC	0-10V	BMTC White + Osram Red + LatticePower Far Red
	514-0002	800W	2.8 μ mol/J	2240 μ mol/s	Foldable version with eight bars	200-240VAC	0-10V	BMTC White + Osram Red + LatticePower Far Red
	514-0003	1000W	2.8 μ mol/J	2800 μ mol/s	Foldable version with eight bars	200-240VAC	0-10V	BMTC White + Osram Red + LatticePower Far Red
North America	514-0004	720W	2.8 μ mol/J	2016 μ mol/s	Foldable version with six bars	100-277VAC	0-10V	BMTC White + Osram Red + LatticePower Far Red
	514-0005	800W	2.8 μ mol/J	2240 μ mol/s	Foldable version with eight bars	100-277VAC	0-10V	BMTC White + Osram Red + LatticePower Far Red
	514-0006	1000W	2.8 μ mol/J	2800 μ mol/s	Foldable version with eight bars	100-277VAC	0-10V	BMTC White + Osram Red + LatticePower Far Red

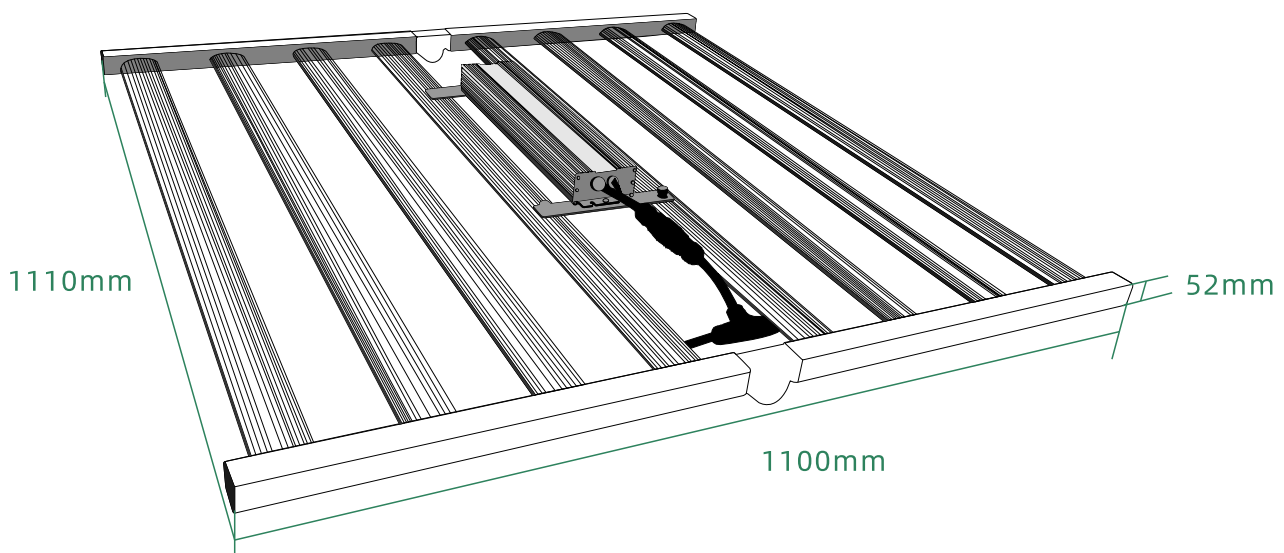
AMPERAGE BY VOLTAGE OVERVIEW

		VOLTAGE(AC)	110V	120V	200V	240V	277V	348V	400V
AMPERAGE	Europe	514-0001	/	/	4.0A	3.34A	/		
		514-0002	/	/	4.45A	3.71A	/		
		514-0003	/	/	5.56A	4.63A	/	/	/
	North America	514-0004	7.20A	6.60A	/	/	2.89A		
		514-0005	8.00A	7.40A	/	/	3.21A		
		514-0006	10.0A	9.20A	/	/	4.02A		

PLUGS AT DIFFERENT VOLTAGES

North American	125V	250V	277V	Europe	230V
	5-15P	6-15P	L7-15P		
					

PRODUCT DIMENSIONS



Body: Alu + Glue coating **Lamp body Weight:** 18.92lb/8.58kg
Driving weight: 9.70lb/4.4kg

APPLICATION SCENARIOS





MarsEVOL

ABOUT US>>

MarsEVOL was established in 2006, 17 years of professional optoelectronic design and manufacturing experience;

With the concept of “**LED-Innovation-Profession**”, which is one of the earliest LED lighting design manufacturers. The current product line covers Industrial and Commercial lighting, Aquarium lighting, Horticulture lighting, poultry lighting, and various professional control systems, such as Wifi, Bluetooth mesh, Zigbee.

Now **MarsEVOL**'s solution was applied in numerous projects all over the world at all scales.



Deep Cultivation And Scientific Research

Professional R&D team, including a structural team, an electronic team, an optical team, an engineering process team, a software team, and a testing team.



Advanced Production Equipment

Full set of optical and electrical laboratories, as well as advanced factory equipments.



Strong Enterprise Strength

The earliest VDE certification was obtained in 2007. Up to now, the certifications have VDE, UL, ETL, ENEC, TUV, CE, FCC., EMC,LVD, RoHS, KC, SAA, CB and so on.



Strict Quality Control

ISO9001 quality control system, with IQC, IPQC, OQC teams and processes.



Numerous Patents

Hundreds of patents (Continue to be updated)

ABOUT OUR SMART CONTROL SYSTEM

1-HarveStation is combined by the PAD, Host controller, Par detector, Dimming Controller and Dimming Amplifier. It supports DLI automatic management, controls the dimming of fixture and develops detailed lighting strategies.

It supports lighting partition control, full cycle control, sunlight DLI data statistics, temperature and humidity data statistics. It can effectively balance sunlight and artificial lighting and save lighting energy consumption to the maximum extent.

Statistics can help growers better improve their lighting strategies and gain more productivity.



2-Compact Dimming Controller, two channels can be set, each channel can connect up to 25 lamps;

This compact dimming controller equipment includes a 100~240Vac power adapter, a dimming signal cable + pigtail dimming power cable (total length 2.5 meters/ 8.2 feet);

