



MarsEVOL

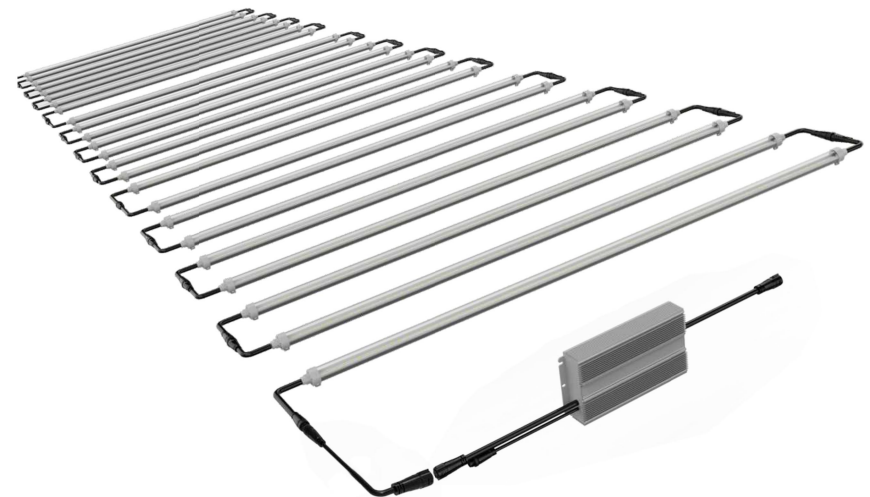


MarsEVOL

LED-INNOVATION-PROFESSION



Quick Installation Guide

Parsys Array



Copyright Reserved. Without the written permission of the copyright owner, duplicate this manual or part of the manual is prohibited.
Information provided here is not apart of any offer or contract. Our company believes the content is accurate and reliable.
Releasing this information is not meant to transfer or imply any patent certification or other industry or knowledge and intellectual property.

Copyright 2022 MarsEVOL LIGHTING 2022-01
Subject to change without notice, Tolerance $\pm 10\%$
Horticulture lighting | Not suitable for household illumination.

 www.marsevol.com
 info@marsevol.com

CE  RoHS

Copyright 2022 MarsEVOL LIGHTING 2022-01
Subject to change without notice, Tolerance $\pm 10\%$
Horticulture lighting | Not suitable for household illumination.

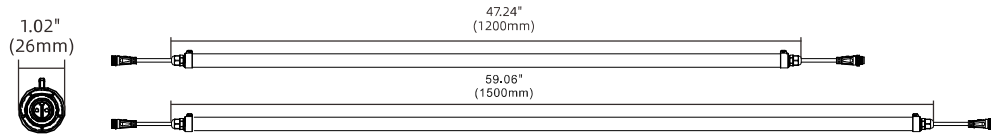
 www.marsevol.com
 info@marsevol.com

BEFORE INSTALLATION

Important information
Read carefully

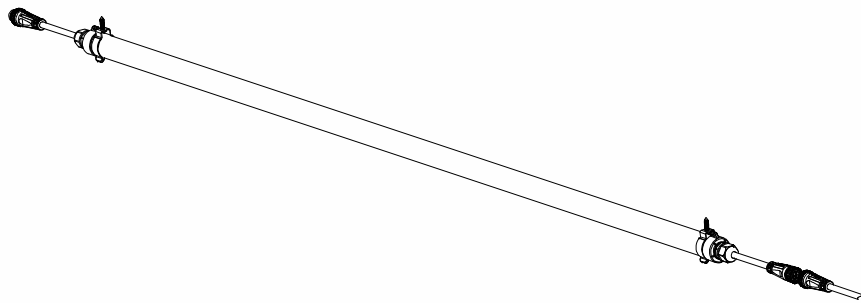
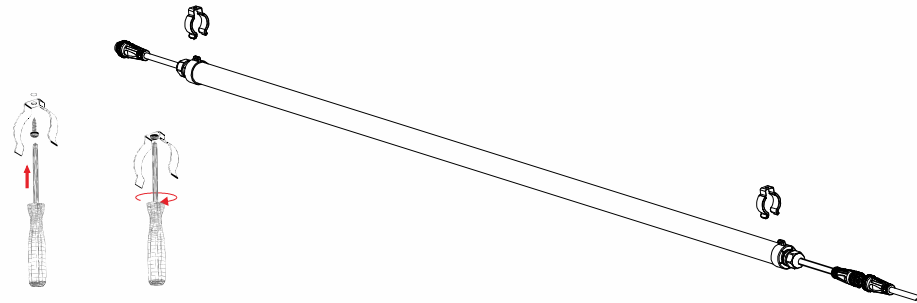
This guide explains how to install Parsys Array. All warnings and cautions should be followed. Installation must be performed by qualified electricians in accordance with national and local electrical and building codes.

INSTALLATION INSTRUCTIONS

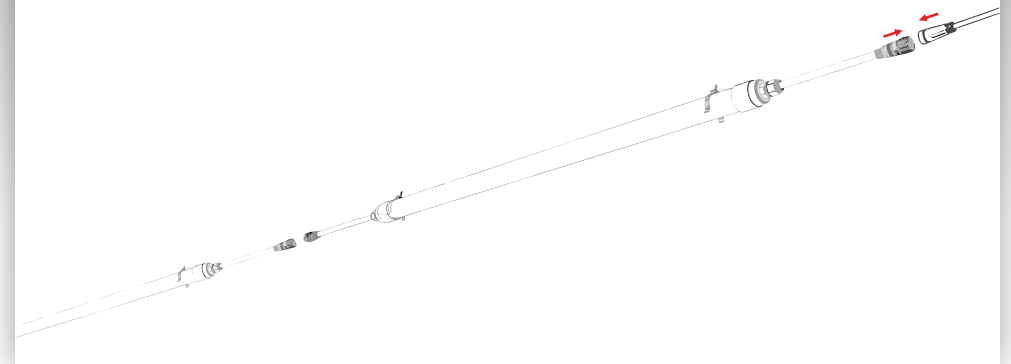


I. Ceiling Installation instructions

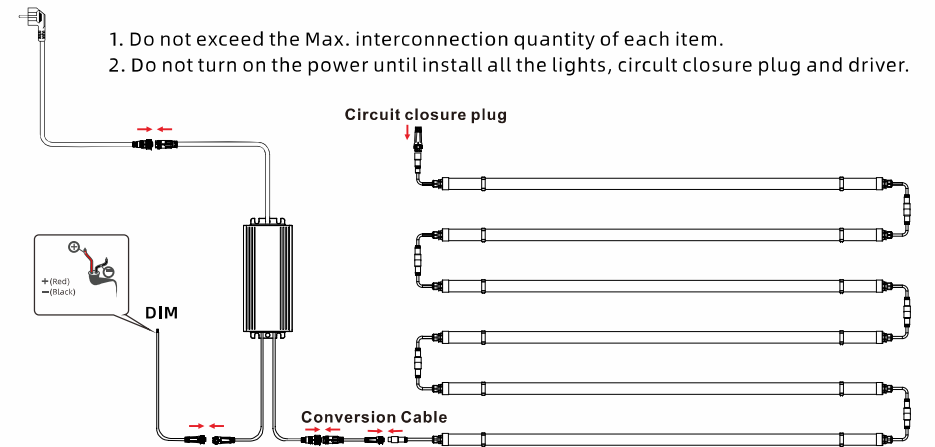
1. Ceiling Installation instructions (Version I)



II . Interconnection Instructions



III . Interconnection Overview



IMPORTANT

- The Lamp must be oriented with the light shining downward, and not upward or to the side. Damage to the lamp fixture caused by heat radiation when operated sideways or upside down is not covered by the warranty.
- Be sure that the stainless clips are installed securely to prevent the lamp from coming loose and falling.
- The light source (LEDs) are not serviceable or replaceable.
- Do not modify or alter the product as this will void the warranty.
- Do not turn on the power until installation is completed.
- Use a junction box with IP level IP66.
- Disconnect the power supply before installation. Installation must be performed by qualified electricians in accordance with national and local electrical and building codes.



Do not touch the lamp while it is operating. Before touching the lamp for any reason, disconnect the power supply and allow the lamp fixture to cool down completely.



SECONDARY RISK: Do not look directly at the light source to avoid eye damage or discomfort due to the brightness of this lamp fixture.